

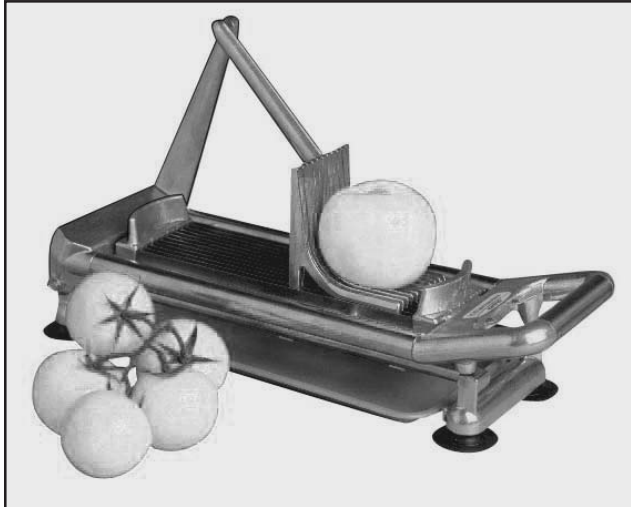
ITEM # \_\_\_\_\_

MODEL # \_\_\_\_\_

PROJECT NAME # \_\_\_\_\_

SIS # \_\_\_\_\_

AIA # \_\_\_\_\_



**Manual Tomato Slicer  
CT6**

601443 (CT6U) Tomato Slicer, 1/4" cutting blades,  
11 slices per tomato

**Short Form Specification**

Item No. \_\_\_\_\_

Unit to be Electrolux Dito Tomato Slicer. Thanks to its small table-top design, it is easy to handle and to position. Slices tomatoes in one fluid motion. Easy to dismantle and clean. Wide selection of interchangeable blade assemblies.



Approval: \_\_\_\_\_

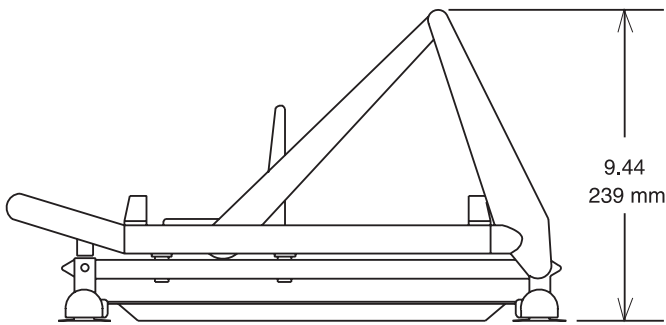
**Main features**

- Slice evenly and cleanly.
- Table stand with 4 suction pads.
- Dishwasher safe.
- Easy dismantling without any tools.
- Easy cleaning.
- Dimensions: (HxLxW): 9.4" x 16.8" x 5.7".
- Approx. shipping weight—9 lbs.
- 2 year parts warranty, 1 year labor.

**Optional Accessories**

- Tipper support for tomato slicer (PNC 653282)
- Blade assembly for 3/16" tomato slicer (PNC 653104)
- Blade assembly for 1/4" tomato slicer (PNC 653100)
- Blade assembly for 3/8" tomato slicer (PNC 653107)
- Tomato guide for 3/16" slicer (PNC 653262)
- Tomato guide for 1/4" slicer (PNC 653099)
- Tomato guide for 3/8" slicer (PNC 653444)

**Front View**



**Electric**

None

**Key Information**

None

**Top View**

